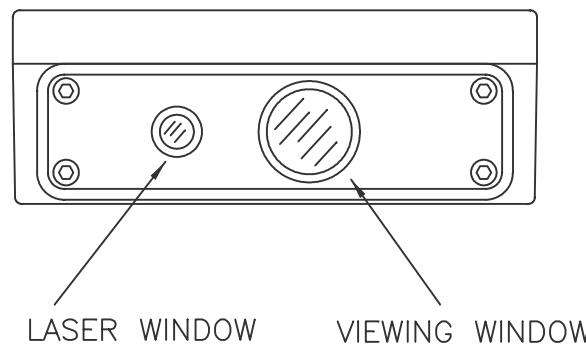
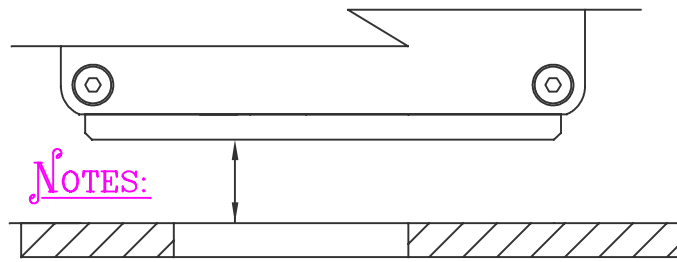
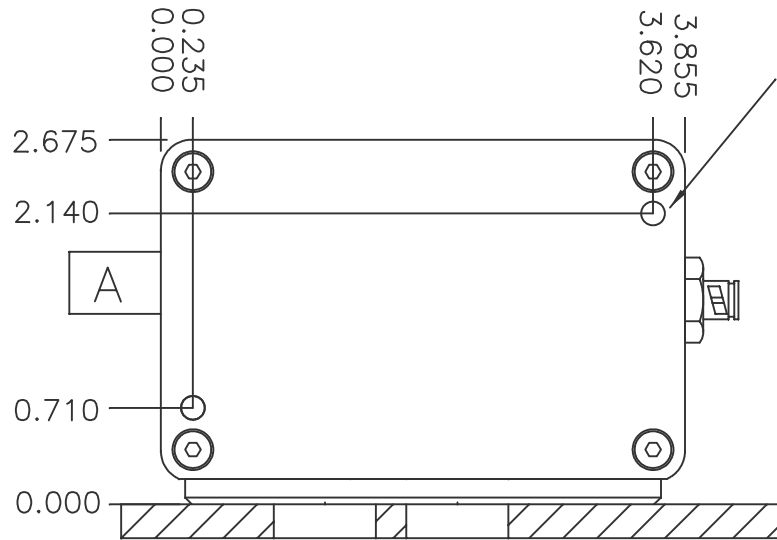
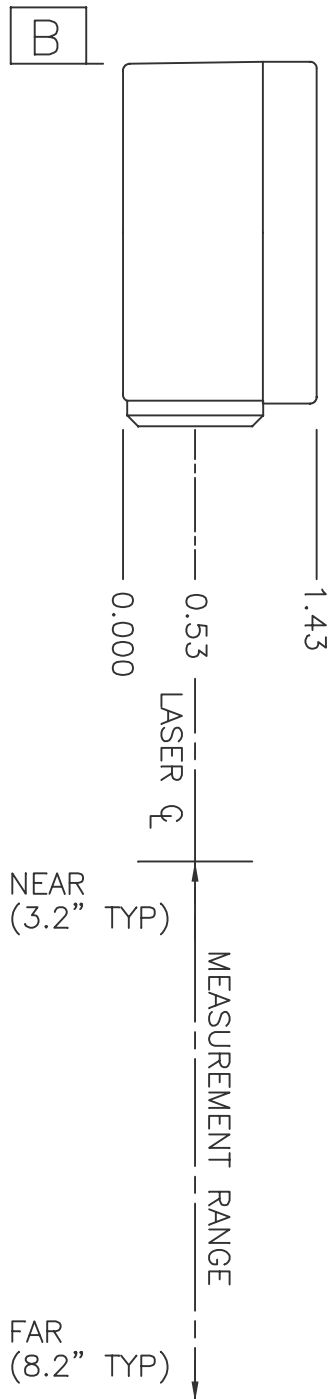
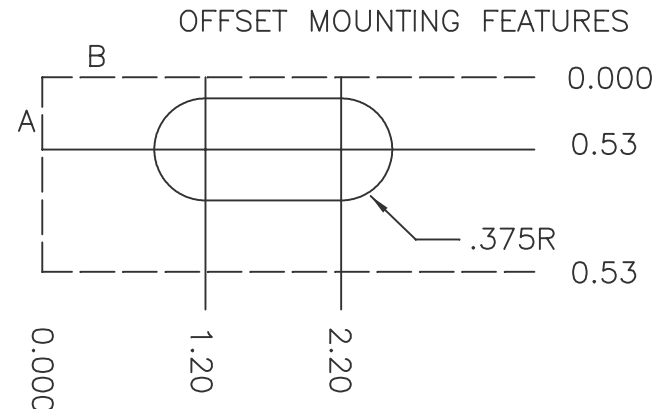
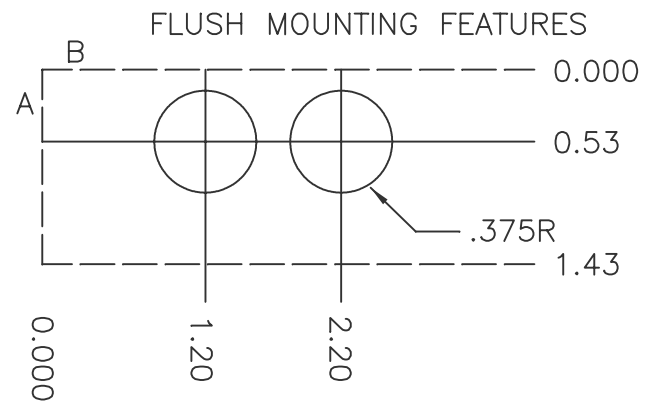


PARTS LIST			
QTY	ITEM	DESCRIPTION	SPECIFICATION
1	①	LR1	RIDE HEIGHT SENSOR



2 THRU HOLES FOR #8/M4 SCREWS



NOTES:

USE OFFSET MTG. GEOMETRY WHEN PLACING SENSOR MORE THAN 1/2" FROM MOUNTING PLANE.

SIGNED		ACULUX LLC	
DATE 8/20/04	555 116th Ave. NE, Bellevue, WA 98004		
DRAWN BY RFJ	TITLE LASER RANGER MTG - RIDE LASERRANGER		
ENGINEER RFJ	SCALE NA	DRAWING SIZE A	DRAWING NUMBER 100232 REV - SH 1
CHECKED RFJ	THIS DRAWING IS THE PROPERTY OF ACULUX AND NOT TO BE COPIED OR REPRODUCED WITHOUT WRITTEN CONSENT OF ACULUX.		